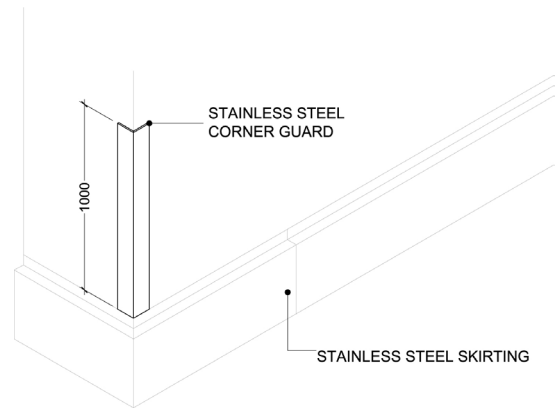


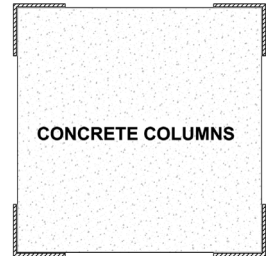
## TECHNICAL DATA SHEET METAL CORNER GUARD



Protect your corners from damage with A1C's metal corner guard. Custom designed and fitted for any requirement, the sleek designed metal corner guards are heavy duty providing ideal protection from shopping carts, pallet jacks and more.



**ISOMETRIC VIEW**  
Scale : NTS



### FEATURES

- Heavy Duty
- High Quality
- Custom Fitted
- Cut to Length

**STAINLESS STEEL SS316L CORNER GUARD**  
**1.5mm THK AT CONCRETE COLUMNS**  
Scale 1:2

|                           | LENGTH                        | WING SIZE  | THICKNESS          | MATERIAL                               | FIXING            | FINISH  |
|---------------------------|-------------------------------|--|--------------------|--|-------------------|---|
| <b>METAL CORNER GUARD</b> |                               |  |                    |  |                   |   |
|                           | 100 mm<br>1200 mm<br>& Custom | 50 x 50 mm<br>75 x 75 mm<br>100 x 100 mm<br>& Custom | 1.2 mm<br>& Custom | SS304<br>SS316<br>SS316L<br>Mild Steel | Screw<br>Adhesive | SS Brushed<br>SS Polished<br>Galvanised<br>Painted<br>Powder Coated |

### ACCESS 1 CONTROLS - UAE

European Business Centre PO Box 473549  
Dubai Investment Park 1, Dubai UAE  
T: +971 (0) 4 813 5212 | F: +971 (0) 4 813 5213  
E: sales@access1c.com | W: www.access1c.com

### ACCESS 1 COMPANY - AUSTRALIA

7 Lucknow Crescent  
Thomastown Victoria, Australia  
T: +61 (03) 9469 3600 | F: +61 (03) 9469 3622  
E: sales@accessone.com.au | W: www.accessone.com.au